

#### GENERAL CHARACTERISTICS

Nominal Overall Diameter .....	102	mm
Nominal Voice Coil Diameter .....	25	mm
Magnet Weight .....	15	g
Flux Density.....	0.99	T
Weight.....	0.20	Kg

#### THIELE-SMALL PARAMETERS

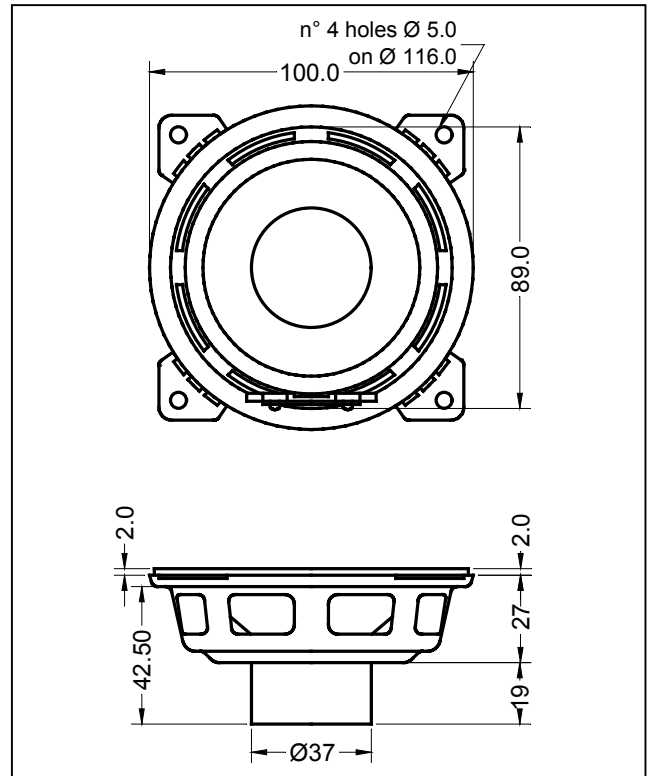
Voice Coil DC Resistance .....	$R_E$	3.00	Ω
Resonance Frequency .....	$f_s$	105.0	Hz
Mechanical Q Factor.....	$Q_{MS}$	3.41	
Electrical Q Factor.....	$Q_{ES}$	0.54	
Total Q Factor .....	$Q_{TS}$	0.47	
Mechanical Moving Mass .....	$M_{MS}$	4.3	g
Mechanical Compliance .....	$C_{MS}$	531	μm/N
Force Factor .....	$B \times l$	4.01	Wb/m
Equivalent Acoustic Volume.....	$V_{AS}$	1.5	lt.
Maximum Linear Displacement ....	$X_{MAX}$	+/-2.0	mm
Reference Efficiency .....	$\eta_0$	0.30	%
Diaphragm Area .....	$S_D$	44.2	cm <sup>2</sup>
Losses Electrical Resistance.....	$R_{ES}$	19.3	Ω
Voice Coil Inductance @ 1kHz .....	$L_E$	0.26	mH

#### CONSTRUCTIVE CHARACTERISTICS

Magnet.....	Neodymium
Voice Coil Winding.....	Copper
Voice Coil Former.....	Epotex
Cone .....	Paper
Surround.....	Rubber
Dust Dome .....	Polypropylene Ogive
Basket .....	Pressed Sheet Steel

#### ELECTRICAL CHARACTERISTICS

Nominal Impedance.....	4	Ω
Musical Power .....	100	W
Rated Power* .....	50	W
Sensitivity @ 1 W, 1 m .....	88.0	dB



\*rated power measured with 2 hours test with pink noise signal, 6 dB crest factor, loudspeaker mounted on enclosure

Frequency Response on IEC Baffle (DIN 45575) @ 1 W, 1 m - Impedance

